



80W Mogul Base Bulb

SECTION 1: GENERAL DESCRIPTION (FIXTURE AND DRIVER)

Model Number:	VOL-CL40-080-CW
Base:	E40
Voltage:	85-300V
Power:	80W
Hue:	C/W
Diffuser Type:	Polymethyl Methacrylate
Base Material:	Cast Aluminum
Light Output:	11,600 Lumens
Beam Angle:	360 Degree
IP Rating:	IP40
Correlated Colour Temperate (CCT):	6700K White / 2700K Warm White
Fixture Lifespan:	50,000 Hours (10+ years at 12 hours per day)
Weight:	0.95 kg

SECTION 2: CERTIFICATIONS MET

UL Listing : Underwriters Laboratory testing for dependable reliability and lifespan of fixture.
 RoHS: Restriction of Hazardous Substances- Ensuring no toxic chemicals or materials are used in the manufacture.
 CE Certification: European Conformity- Passed standards to be sold within the European Union.

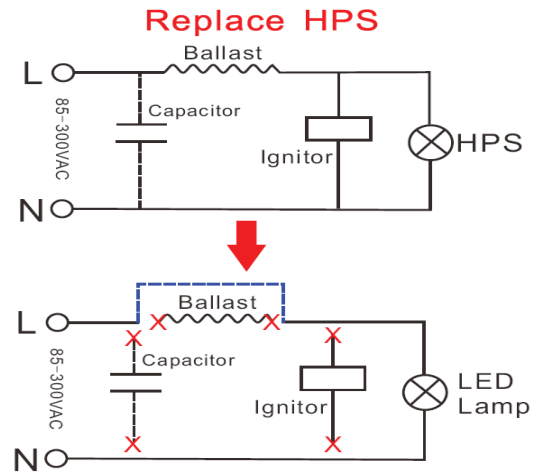
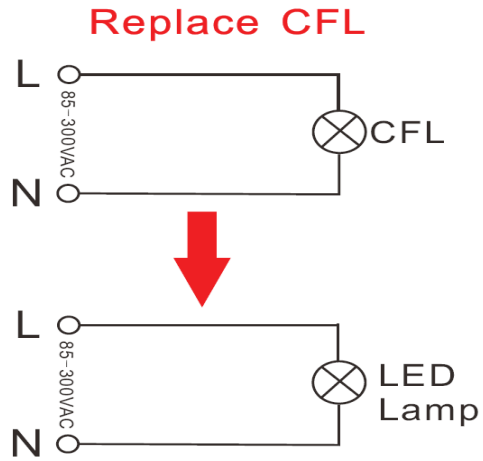
SECTION 3: LIGHT SOURCE DESCRIPTION (LED CHIP)

LED Shape	3528 SMD
Number of LEDS	510
LED TYPE	EPISTAR

SECTION 4: COMPARABLE OLDER LIGHT SOURCE

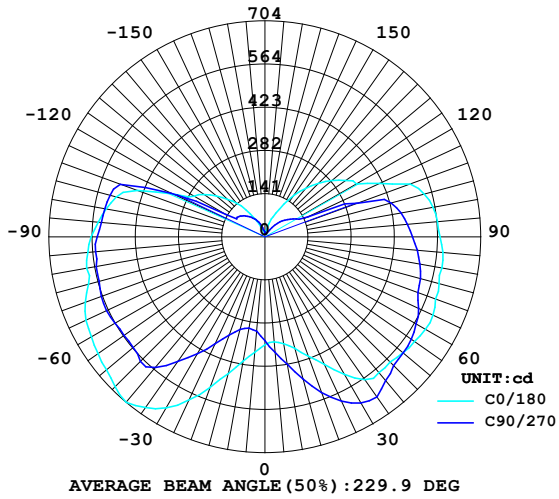
80W Corn Bulb	100W Metal Halide Bulb
80 Watts Power	100 Watts Power
50,000 Hour Lifespan	200 Hour Lifespan
Carries 2 year Warranty	Carries no warranty
Withstands voltage surges	Destroyed with small voltage surges
Available in Warm or Cool	Only Available in Warm

G97 HCB) . INSTALLATION

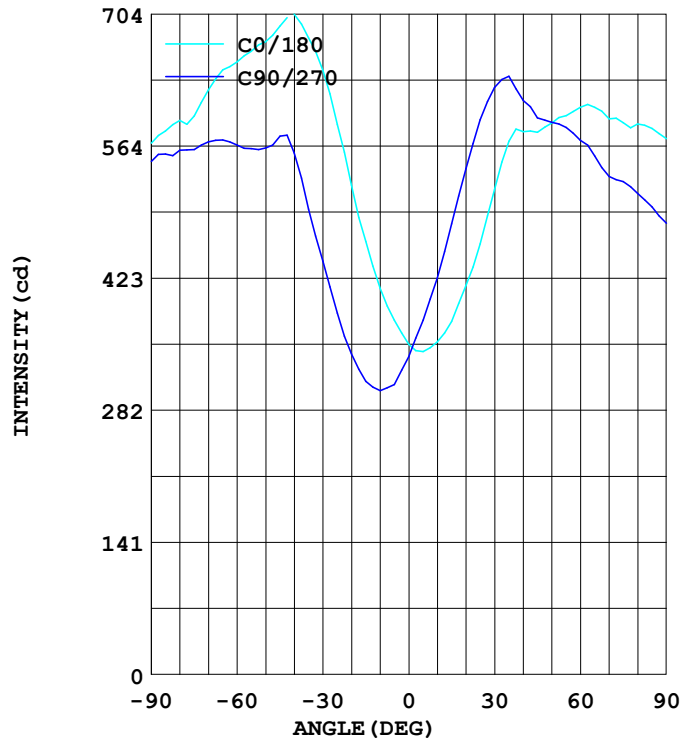


G97 HC B * . PHOTOMETRIC DISTRIBUTION

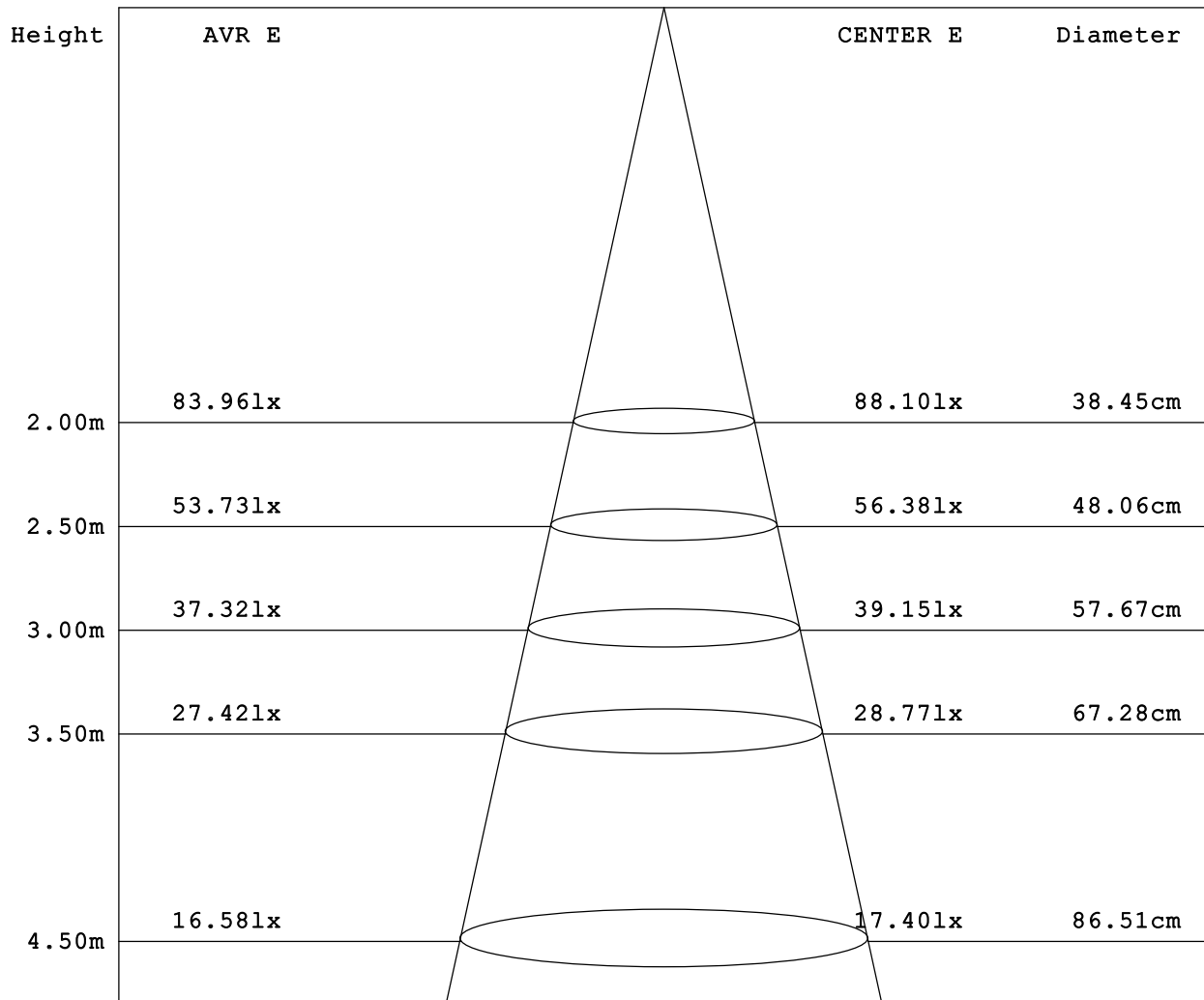
LUMINOUS INTENSITY DISTRIBUTION



LUMINOUS INTENSITY DISTRIBUTION



EFFECTIVE AVERAGE ILLUMINANCE



Angle:11.0deg