



8 Inch Downlight

SECTION 1: GENERAL DESCRIPTION (FIXTURE AND DRIVER)

Model Number:	VOL-8DL-018-CW
Size:	8 INCH
Voltage:	85-277V
Power:	18W
Hue:	Cool White
Material:	Aluminum, Polymethyl Methacrylate
Light Output:	1530 Lumens
Beam Angle:	120 Degrees
Correlated Colour Temperature:	6000-6500K
Fixture Life span:	50,000 hours
IP Rating:	IP 30

SECTION 2: CERTIFICATIONS MET

1. UL Listing: Underwriters Laboratory testing for dependable reliability and lifespan of fixture
2. RoHS Certification: Restriction of Hazardous Substances- Ensuring no toxic chemicals or materials are used in the manufacture.
3. CE Certification: (Conformity European) to ensure that this product can be within the strictest standards of Europe.

SECTION 3: LIGHT SOURCE DESCRIPTION (LED CHIP)

LED type	2835 SMD EPISTAR
Number of LEDs	90

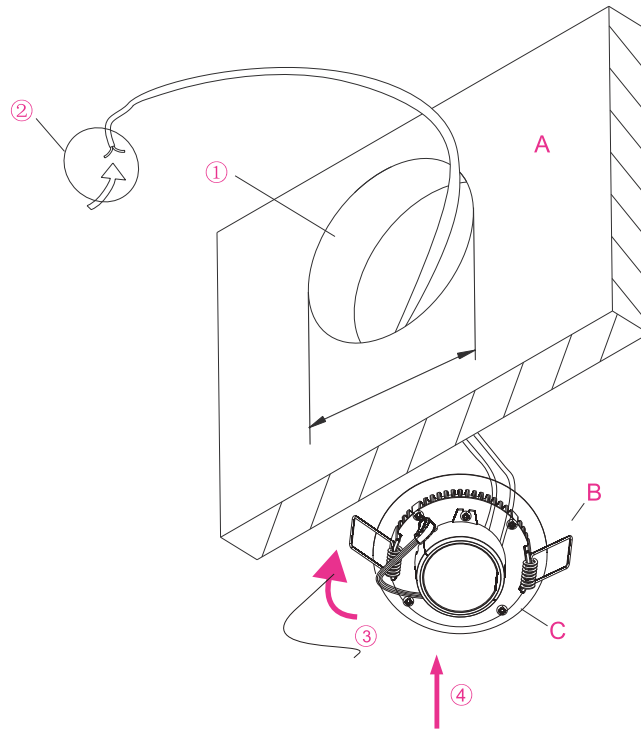
SECTION 4: COMPARABLE OLDER LIGHT SOURCE

8 Inch LED Downlight	8 Inch Metal Halide Downlight
1530 Lumen	982 Lumen
18 Watt	30 Watt Power
50,000 hour lifespan	200 Hour Lifespan
Withstands Voltage Surges	Filament destroyed with small voltage surges
Available in Warm and Cool	Only Available in Warm

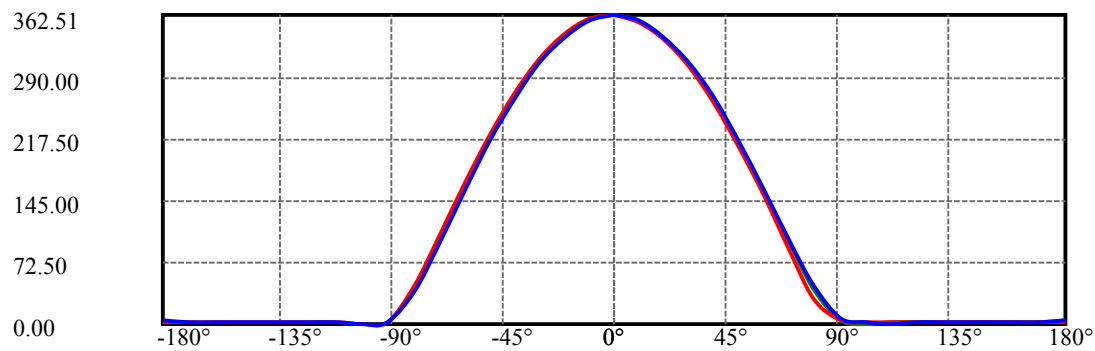
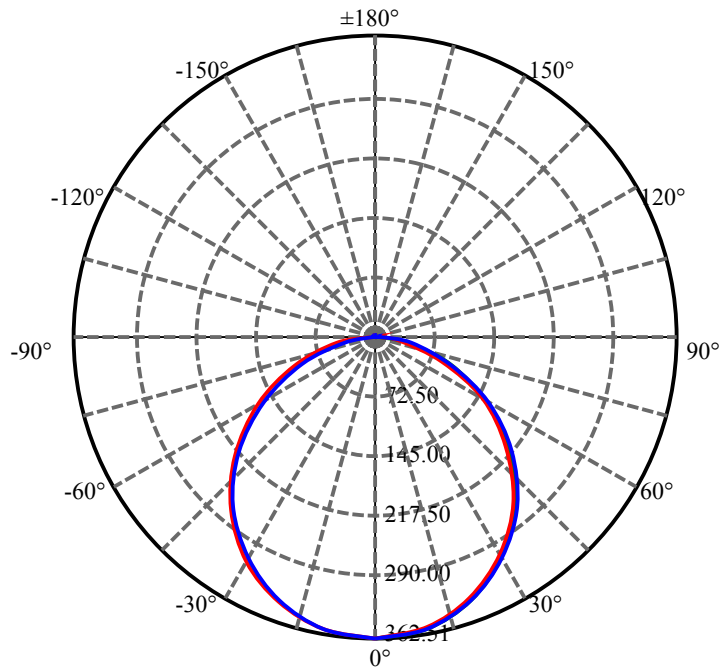
SECTION 5: INSTALLATION DETAILS

①	make a hole
②	connect the power wire
③	push spring
○	Driver

A	Wall
B	Spring
C	LED lamp
D	Driver

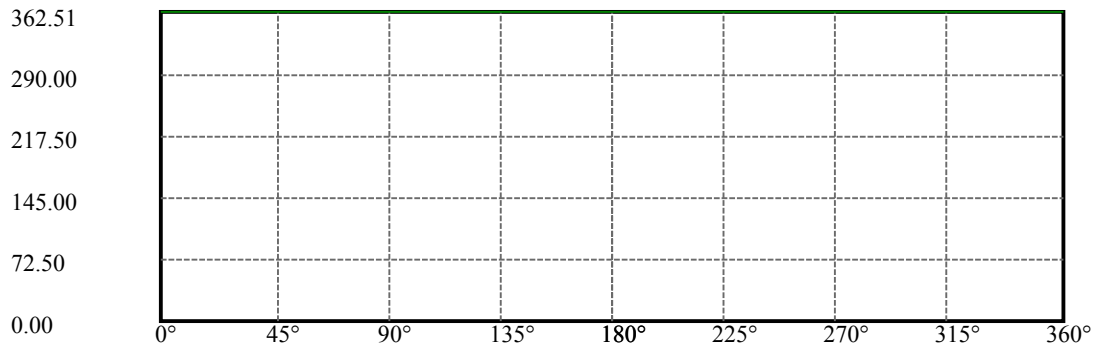
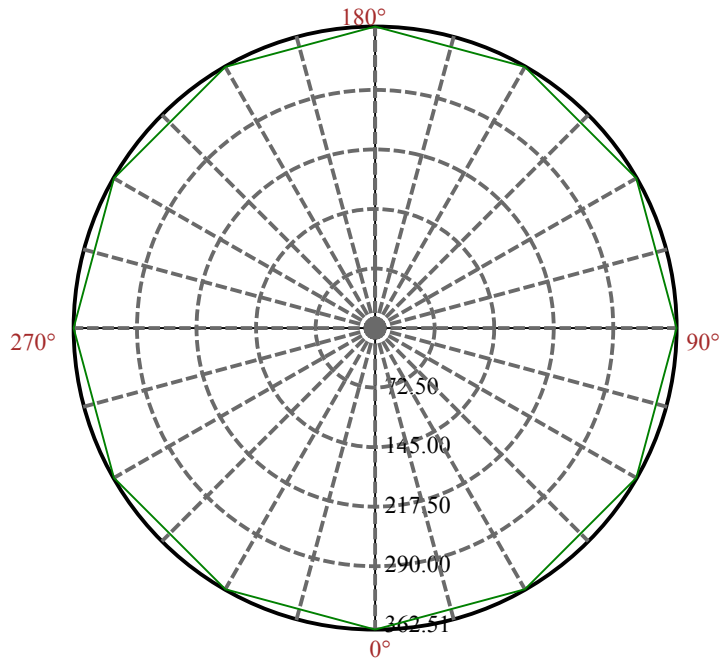


Light Distribution Curve [Unit: cd]



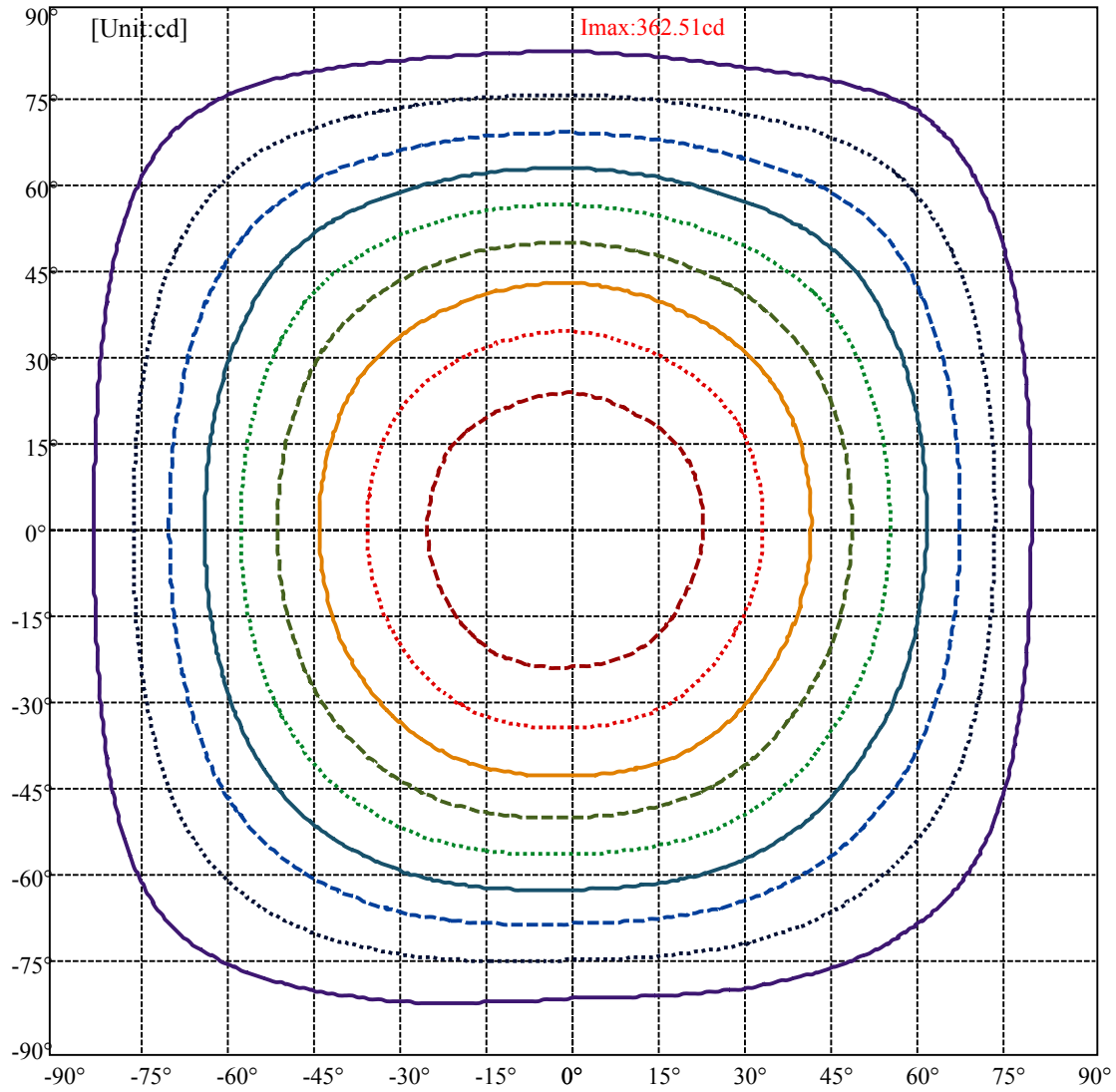
C30(Max): —
 C0/C180: —
 C90/C270: —

Light Distribution Curve [Unit: cd]



MaxG=0

ISO-Intensity(V-H)



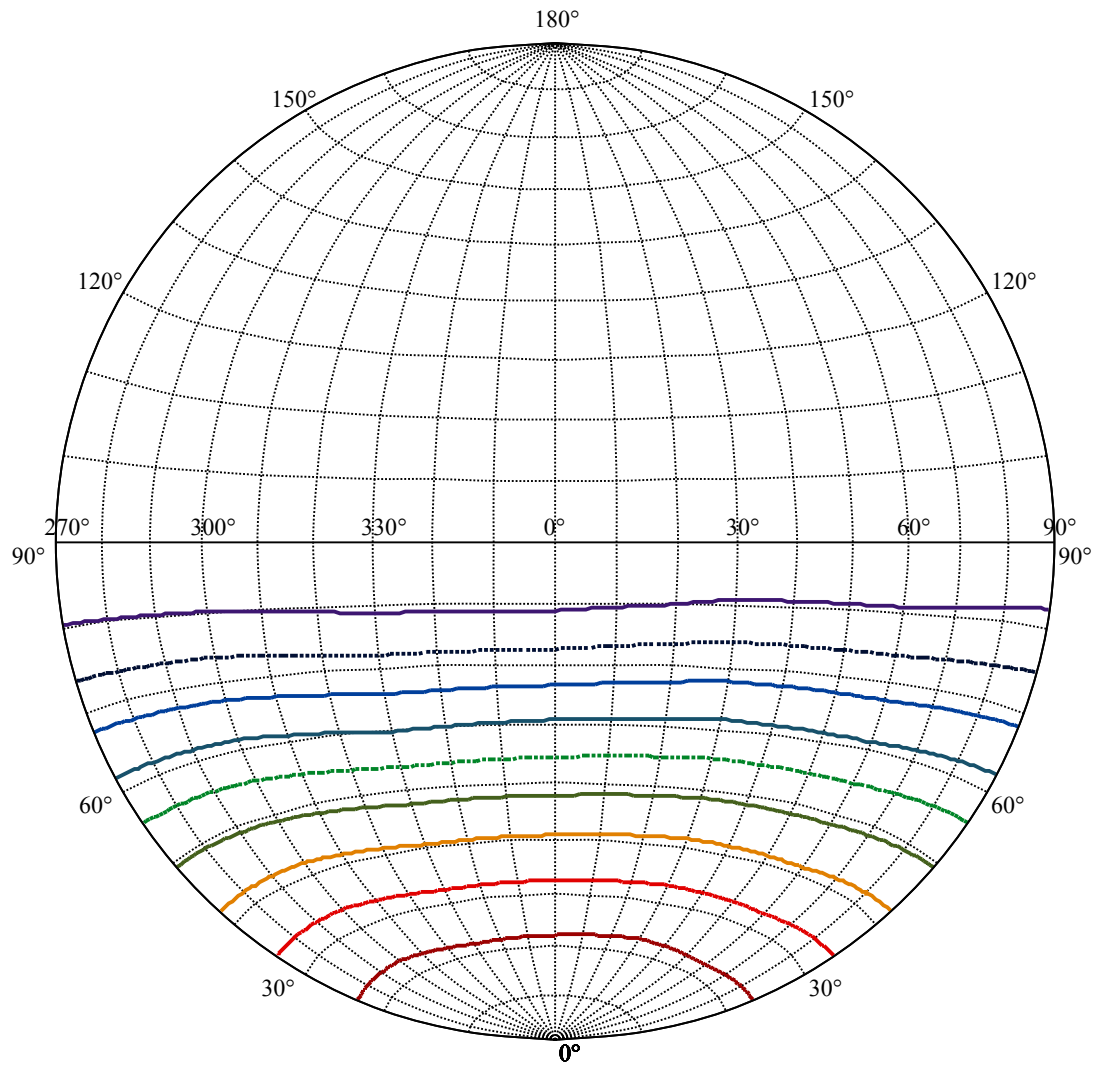
(10%Imax) 36.1829	—
(20%Imax) 72.3658	·····
(30%Imax) 108.549	- - - - -
(40%Imax) 144.732	—
(50%Imax) 180.915	·····
(60%Imax) 217.097	- - - - -
(70%Imax) 253.28	—
(80%Imax) 289.463	·····
(90%Imax) 325.646	- - - - -

Equipment: GMS1800B
Temperature(°C): 25.0

Date: 2015-10-30
Humidity(%): 60.0%

Operator: Jason Zhan
Distance(m): 13.00

ISO candela diagram on circular web



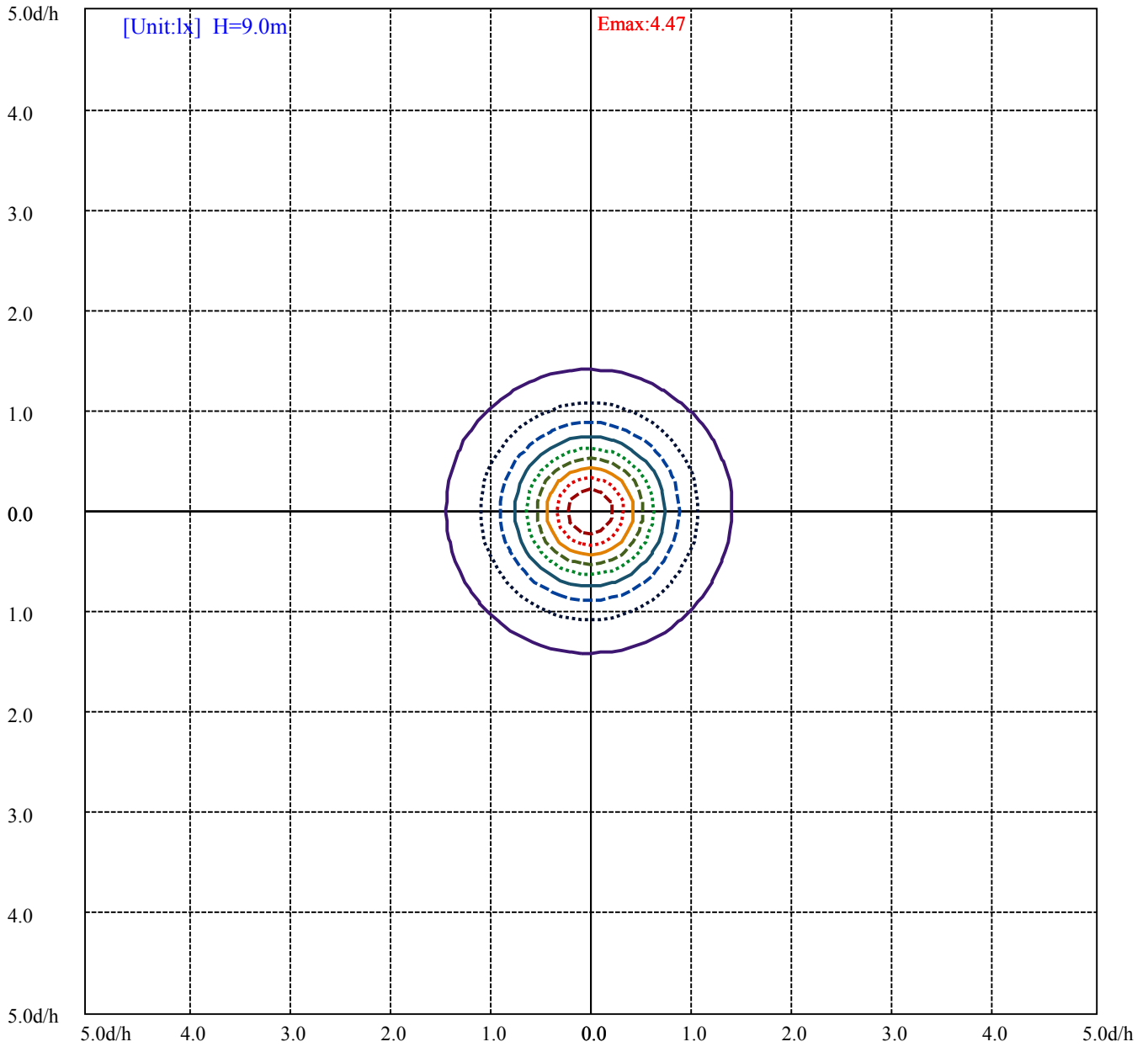
House

Road

I_{max}:362.51cd

(10%I _{max}) 36.2505	—
(20%I _{max}) 72.501	⋯
(30%I _{max}) 108.752	- - -
(40%I _{max}) 145.002	—
(50%I _{max}) 181.253	⋯
(60%I _{max}) 217.503	- - -
(70%I _{max}) 253.754	—
(80%I _{max}) 290.004	⋯
(90%I _{max}) 326.255	- - -

ISO illuminance diagram



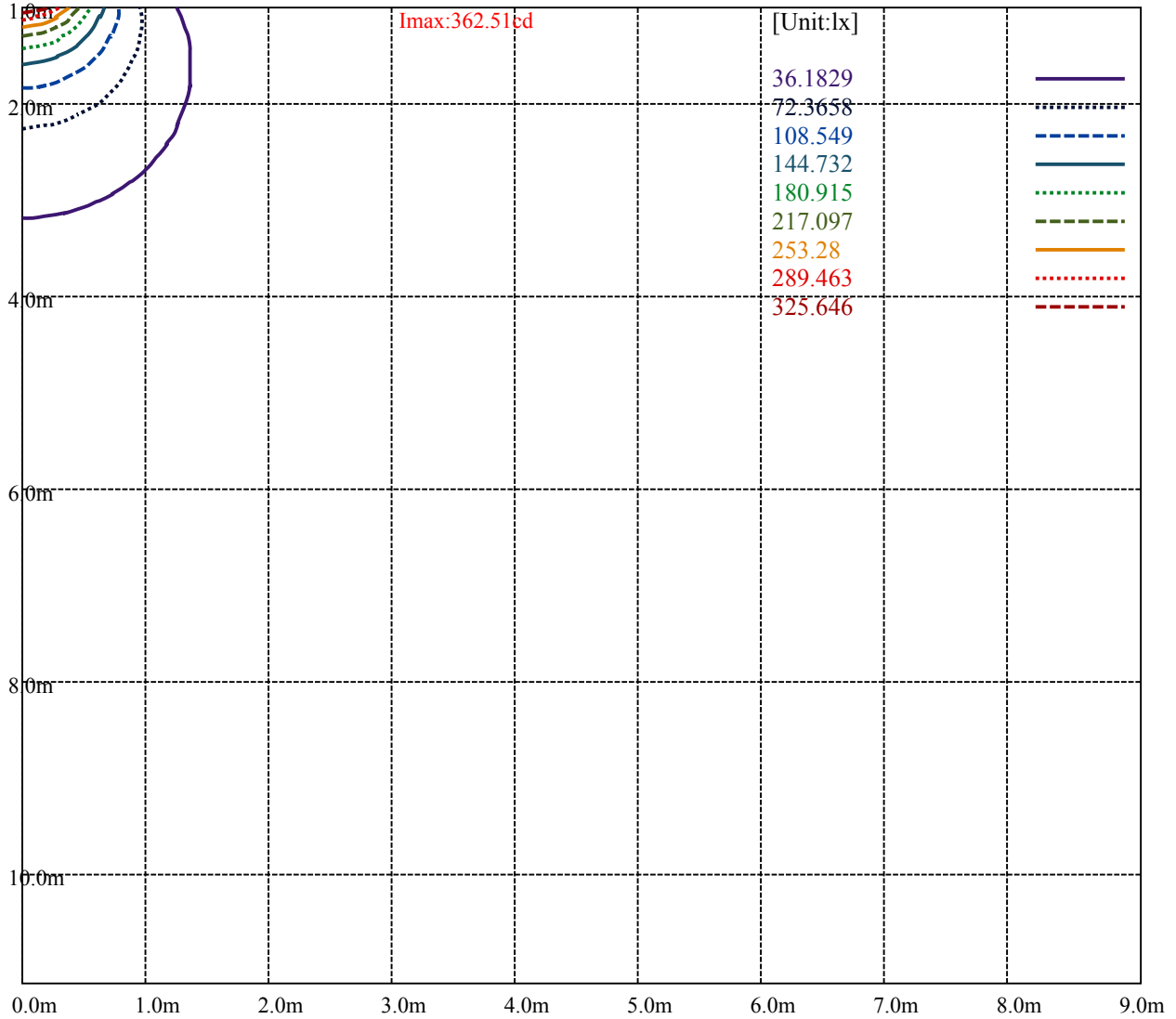
- (10%Emax) 0.4472235
- (20%Emax) 0.8944482
- (30%Emax) 1.341667
- (40%Emax) 1.788901
- (50%Emax) 2.236124
- (60%Emax) 2.683346
- (70%Emax) 3.130568
- (80%Emax) 3.57779
- (90%Emax) 4.025012

Equipment: GMS1800B
Temperature(°C): 25.0

Date: 2015-10-30
Humidity(%): 60.0%

Operator: Jason Zhan
Distance(m): 13.00

Space ISO Lux diagram



Equipment: GMS1800B
Temperature(°C): 25.0

Date: 2015-10-30
Humidity(%): 60.0%

Operator: Jason Zhan
Distance(m): 13.00