



6 Inch Downlight

## SECTION 1: GENERAL DESCRIPTION (FIXTURE AND DRIVER)

<b>Model Number:</b>	<b>VOL-6DL-012-CW</b>
<b>Size:</b>	<b>6 INCH</b>
<b>Voltage:</b>	<b>85-277V</b>
<b>Power:</b>	<b>12W</b>
<b>Hue:</b>	<b>Cool White</b>
<b>Material:</b>	<b>Aluminum, Polymethyl Methacrylate</b>
<b>Light Output:</b>	<b>950 Lumens</b>
<b>Beam Angle:</b>	<b>120 Degrees</b>
<b>Correlated Colour Temperature:</b>	<b>6000-6500K</b>
<b>Fixture Life span:</b>	<b>50,000 hours</b>
<b>IP Rating:</b>	<b>IP 30</b>

## SECTION 2: CERTIFICATIONS MET

1. UL Listing: Underwriters Laboratory testing for dependable reliability and lifespan of fixture
2. RoHS Certification: Restriction of Hazardous Substances- Ensuring no toxic chemicals or materials are used in the manufacture.
3. CE Certification: (Conformity European) to ensure that this product can be within the strictest standards of Europe.

## SECTION 3: LIGHT SOURCE DESCRIPTION (LED CHIP)

<b>LED type</b>	<b>2835 SMD EPISTAR</b>
<b>Number of LEDs</b>	<b>60</b>

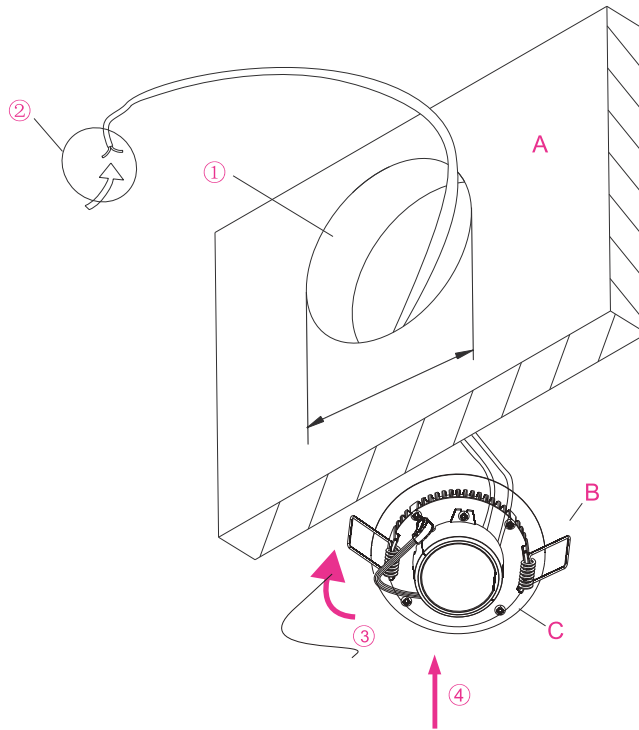
## SECTION 4: COMPARABLE OLDER LIGHT SOURCE

6 Inch LED Downlight	6 Inch Metal Halide Downlight
950 Lumen	982 Lumen
12 Watt	30 Watt Power
50,000 hour lifespan	200 Hour Lifespan
Withstands Voltage Surges	Filament destroyed with small voltage surges
Available in Warm and Cool	Only Available in Warm

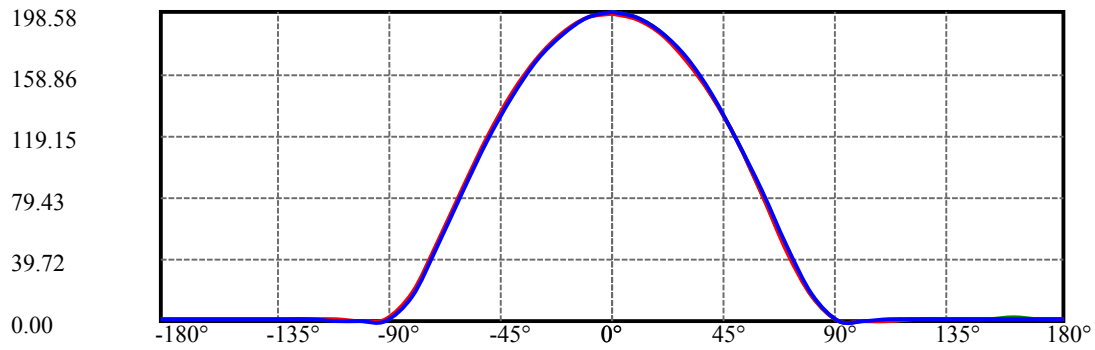
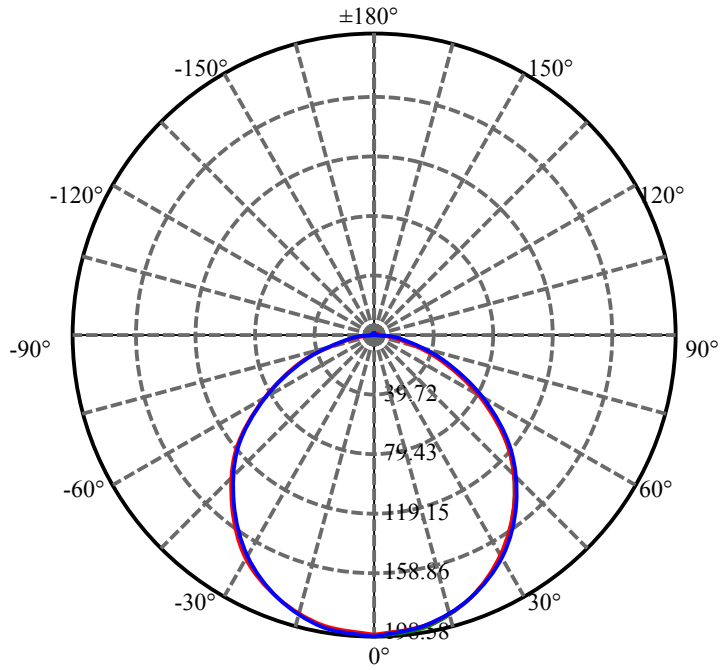
## SECTION 5: INSTALLATION DETAILS

①	make a hole
②	connect the power wire
③	push spring
○	Driver

A	Wall
B	Spring
C	LED lamp
D	Driver

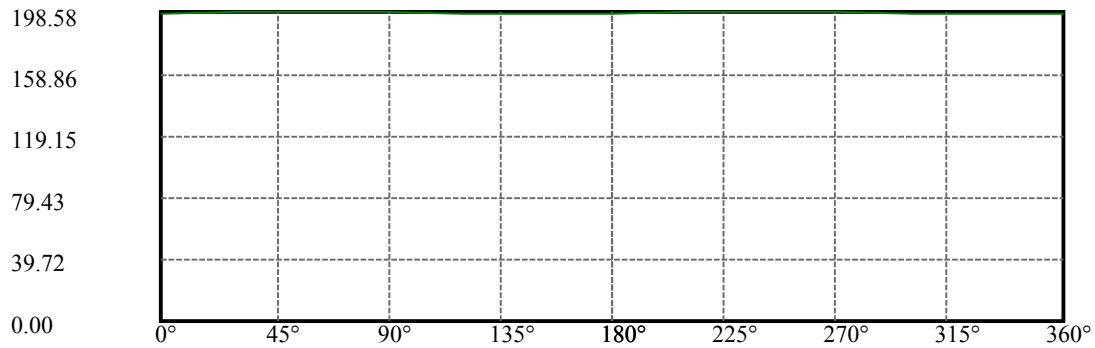
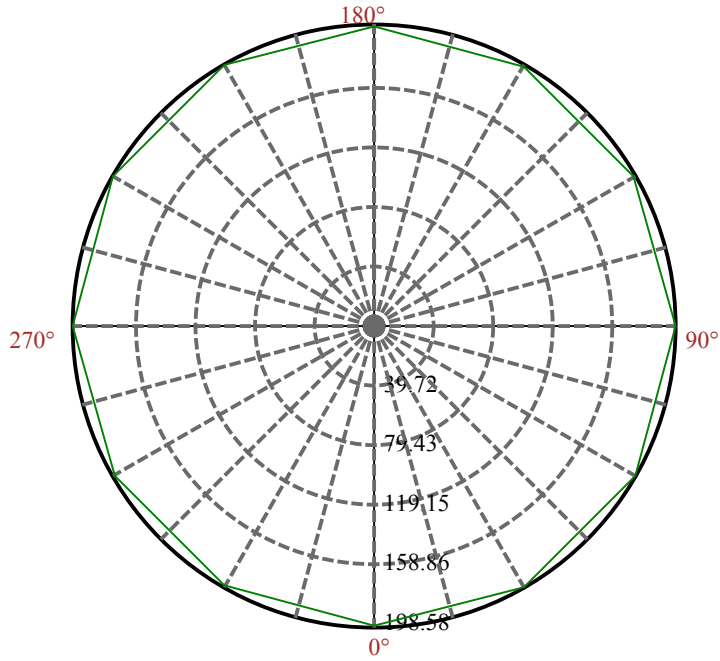


Light Distribution Curve [Unit: cd]



- C30(Max): —
- C0/C180: —
- C90/C270: —

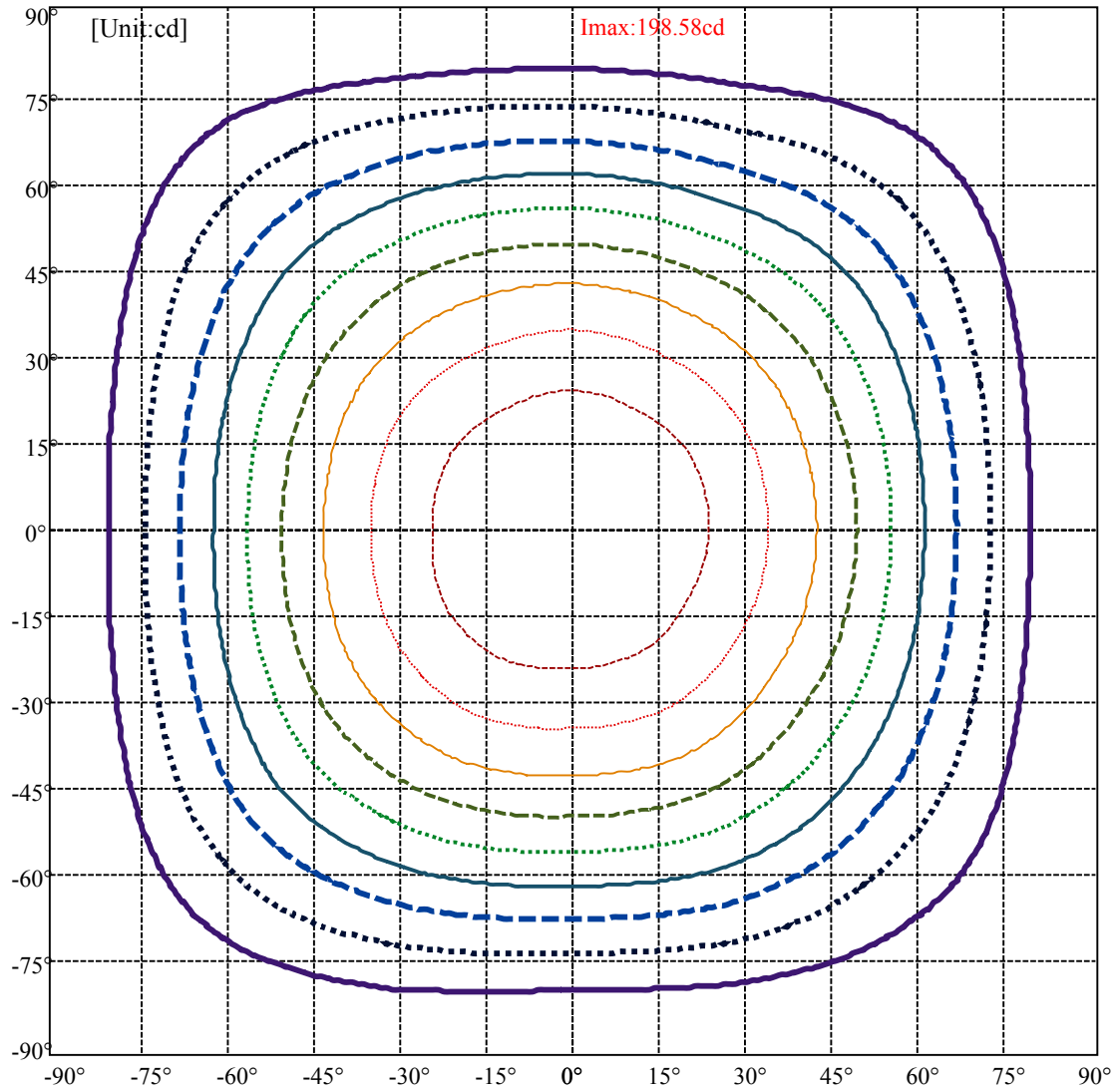
Light Distribution Curve [Unit: cd]



MaxG=0



ISO-Intensity(V-H)



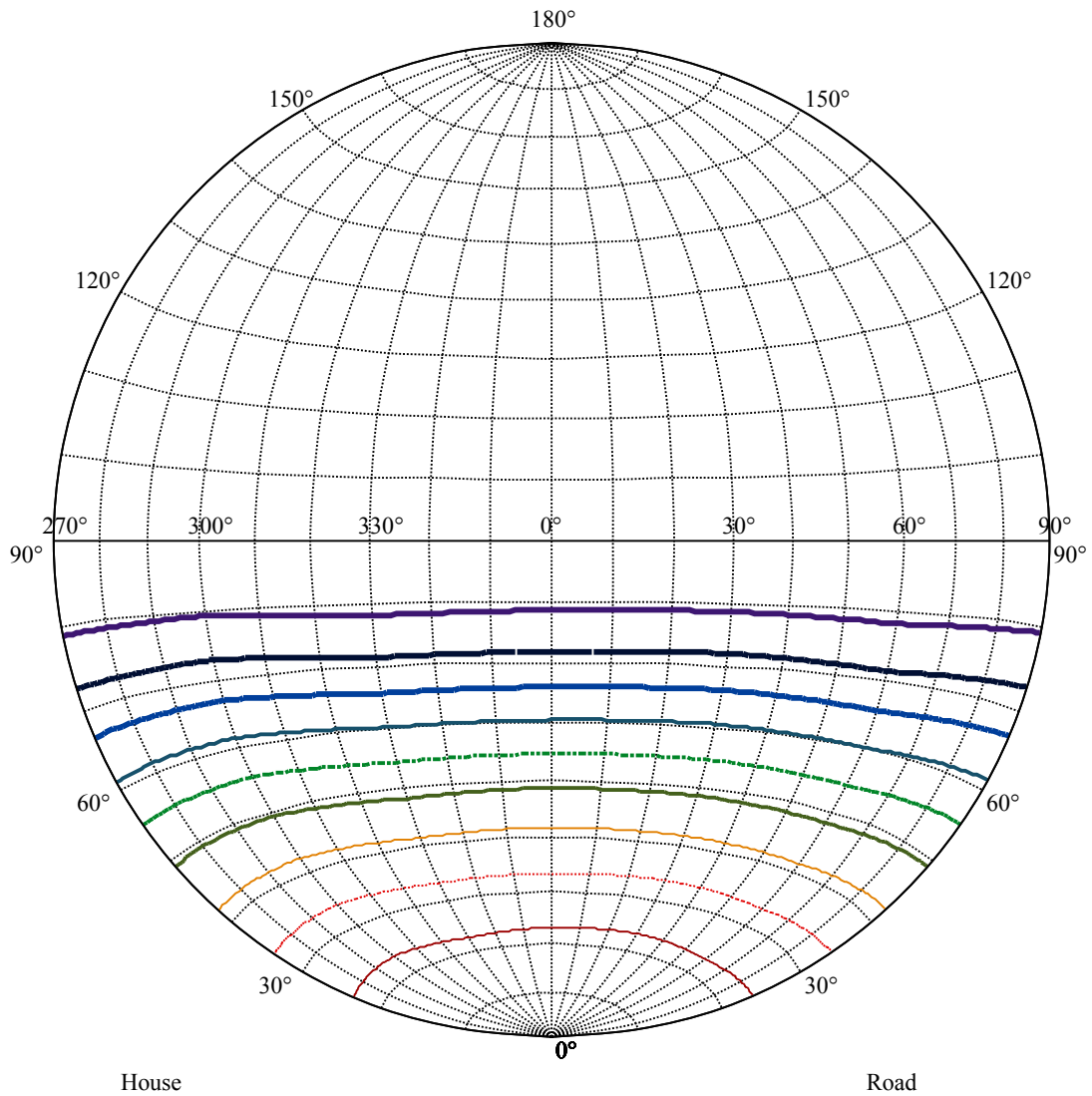
(10%Imax) 19.8068	—
(20%Imax) 39.6136	·····
(30%Imax) 59.4204	- - - - -
(40%Imax) 79.2272	—
(50%Imax) 99.034	·····
(60%Imax) 118.841	- - - - -
(70%Imax) 138.648	—
(80%Imax) 158.454	·····
(90%Imax) 178.261	- - - - -

Equipment: GMS1800B  
Temperature(°C): 25.0

Date: 2015-11-5  
Humidity(%): 60.0%

Operator: Jason Zhan  
Distance(m): 13.00

ISO candela diagram on circular web



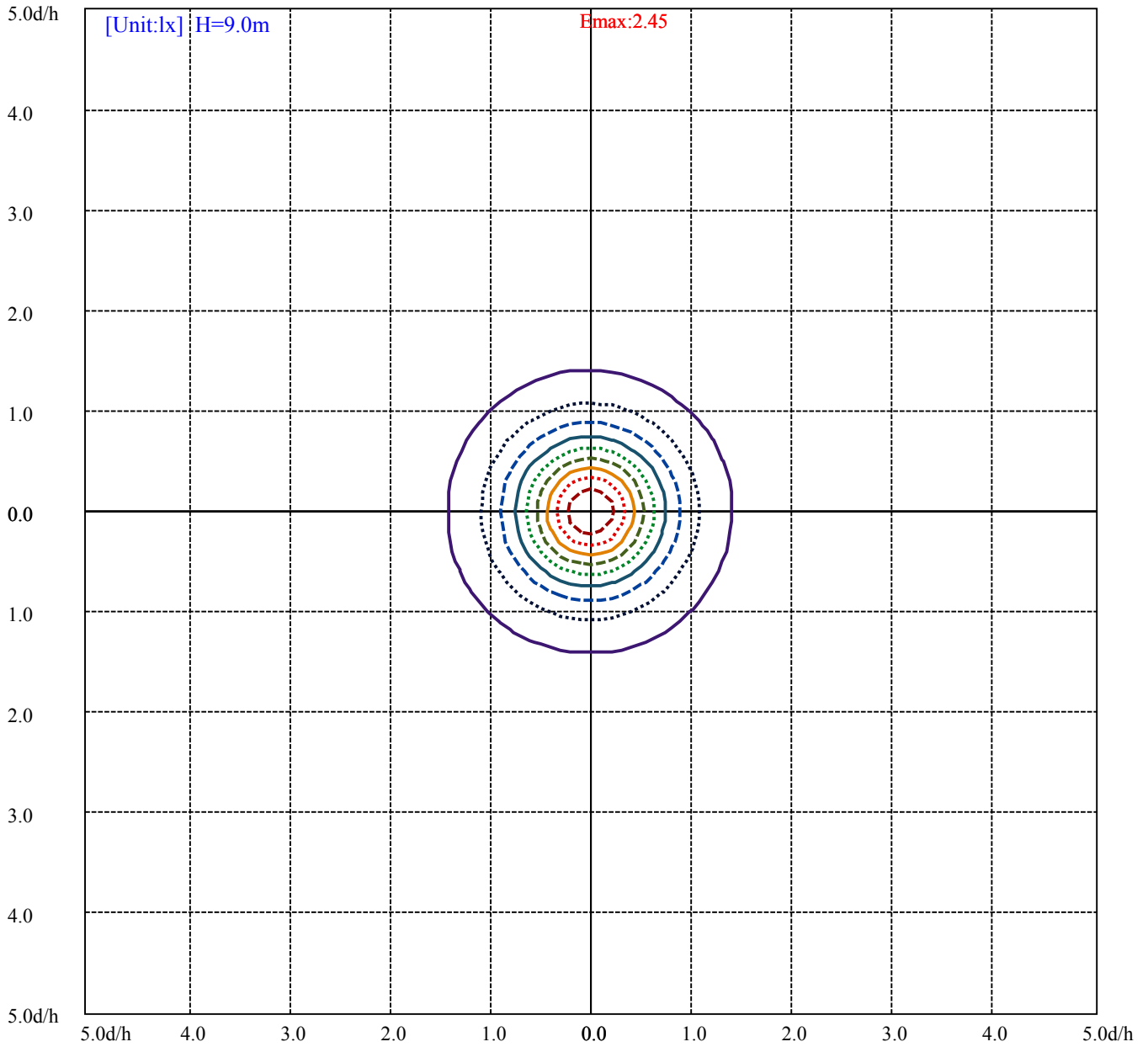
House

Road

I<sub>max</sub>:198.58cd

(10%I <sub>max</sub> ) 19.8575	—
(20%I <sub>max</sub> ) 39.715	·····
(30%I <sub>max</sub> ) 59.5725	- · - · -
(40%I <sub>max</sub> ) 79.43	—
(50%I <sub>max</sub> ) 99.2875	·····
(60%I <sub>max</sub> ) 119.145	- · - · -
(70%I <sub>max</sub> ) 139.003	—
(80%I <sub>max</sub> ) 158.86	·····
(90%I <sub>max</sub> ) 178.717	- · - · -

ISO illuminance diagram



- (10%Emax) 0.2448407 ————
- (20%Emax) 0.4896827 ······
- (30%Emax) 0.7345234 - - - -
- (40%Emax) 0.9793654 ————
- (50%Emax) 1.224206 ······
- (60%Emax) 1.469049 - - - -
- (70%Emax) 1.713889 ————
- (80%Emax) 1.958728 ······
- (90%Emax) 2.203568 - - - -

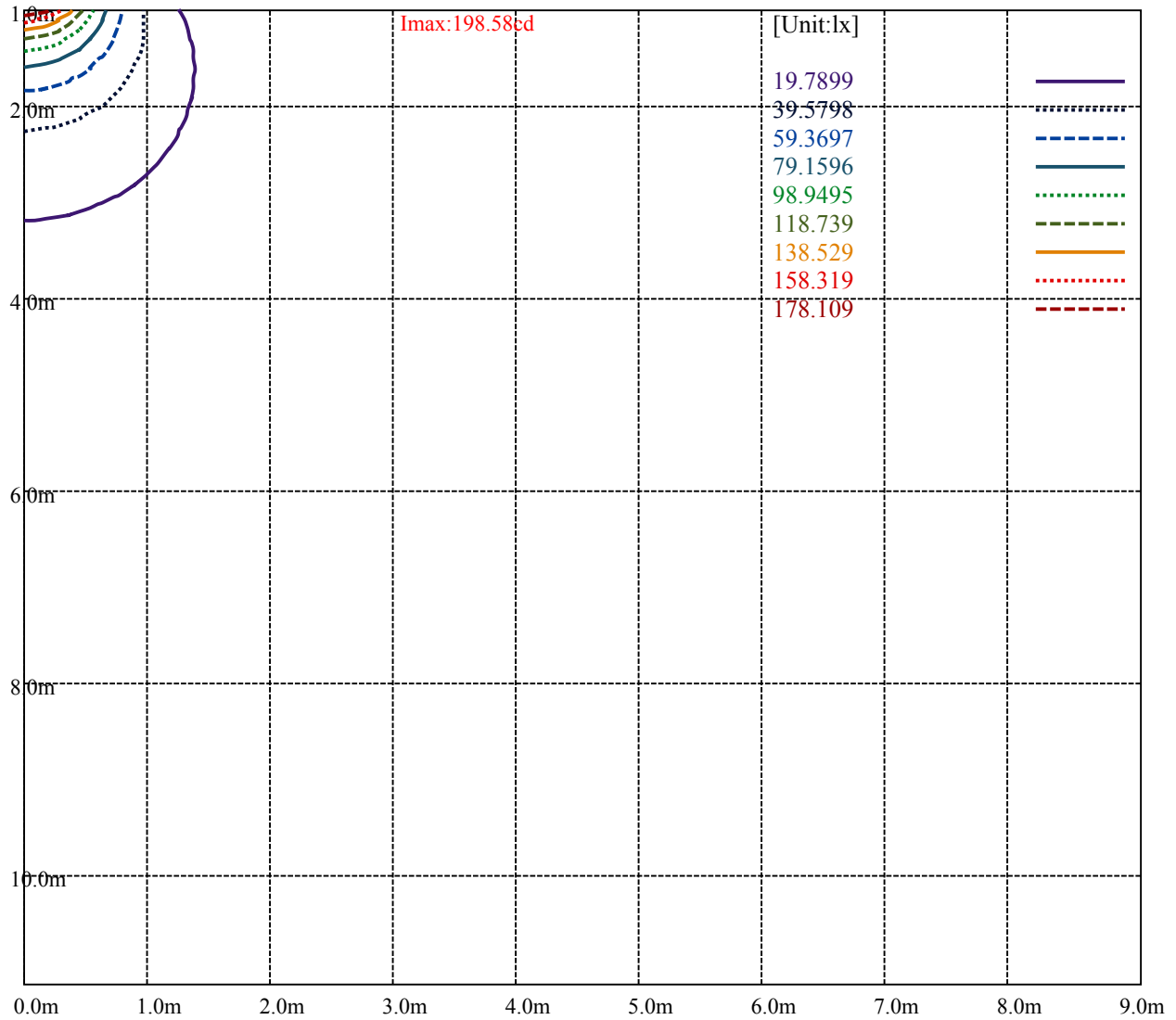
Equipment: GMS1800B  
Temperature(°C): 25.0

Date: 2015-11-5  
Humidity(%): 60.0%

Operator: Jason Zhan  
Distance(m): 13.00



Space ISO Lux diagram



Equipment: GMS1800B  
Temperature(°C): 25.0

Date: 2015-11-5  
Humidity(%): 60.0%

Operator: Jason Zhan  
Distance(m): 13.00