

1000W FLOOD LIGHT

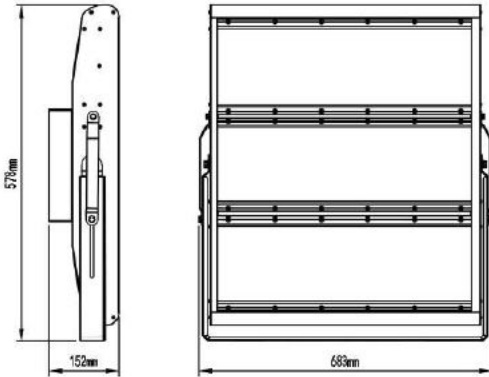


SPECIFICATIONS

Technical Data

Model Number	VOL-FL-1000-CW
Rated Power	1000W
Luminous Efficacy	130lm/W
Lumen Output	130000lm
LED Source	Philips 3030
CCT	4000K-6000K
CRI	>70Ra
System Efficacy	>90%
Lighting Distribution	30/90/120 Degree
Dimension	578*683*150mm
Net Weight	24 KG

Product Dimensions



Electrical Details

Input Voltage	AC 100-277V
Power Frequency	60Hz
Humidity	15% to 95% RH
Energy Savings	80%
Power Factor	≥0.95
Adjustment angle	0-180 degrees
Dimmable	0-10V dimming optional

Other Details

IP Rating	IP65 For Entire Luminaire
L70 Lifespan	60,000+ Hours
Led Lifespan	50,000+ Hours
Driver Lifespan	5 years
Operating Temperature	-30°~45°C
Surge Protection	10kV
Certification	TUV, EN60598-2-5:2015, EN62493:2015,
Housing Material	Aluminum Alloy