

**Canopy Flood Light-60W**



**SECTION 1: GENERAL DESCRIPTION (FIXTURE AND DRIVER)**

Voltage:	100-277V
Power:	60 W
Diffuser Type:	Polycarbonate
Base Material:	Aluminum
Light Output:	5750 Lumens
Beam Angle:	120 Degrees
Correlated Colour Temperature (CCT):	5500-6500K White
Fixture Lifespan:	50,000 Hours (10+ years at 12 hours per day)
IP Rating:	67
Dimensions:	300mmx300mmx115mm
Weight:	7.5KG

**SECTION 2: CERTIFICATIONS MET**

- 1) UL Listing : Underwriters Laboratory testing for dependable reliability and lifespan of fixture.
- 2) RoHS Certification: Restriction of Hazardous Substances- Ensuring no toxic chemicals or materials are used in the manufacture.
- 3) CE Certification: Conformity European, Ensuring that this product can be within the strictest standards of Europe.
- 4) Ex-Proof Explosion Proof Fixture by intrinsic design certified under US/UK guidelines
- 5) Hazardous Location Certification: **Class 1, Div 1**

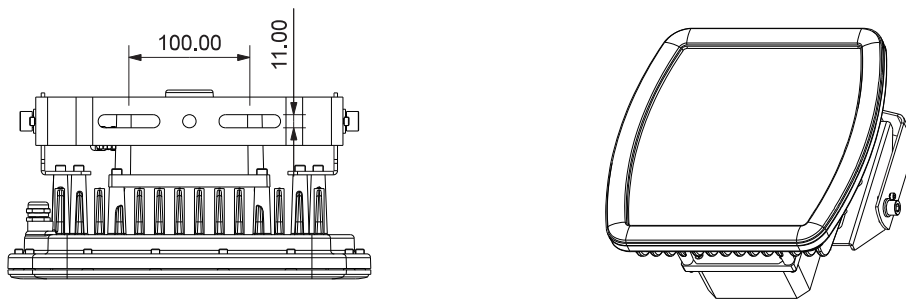
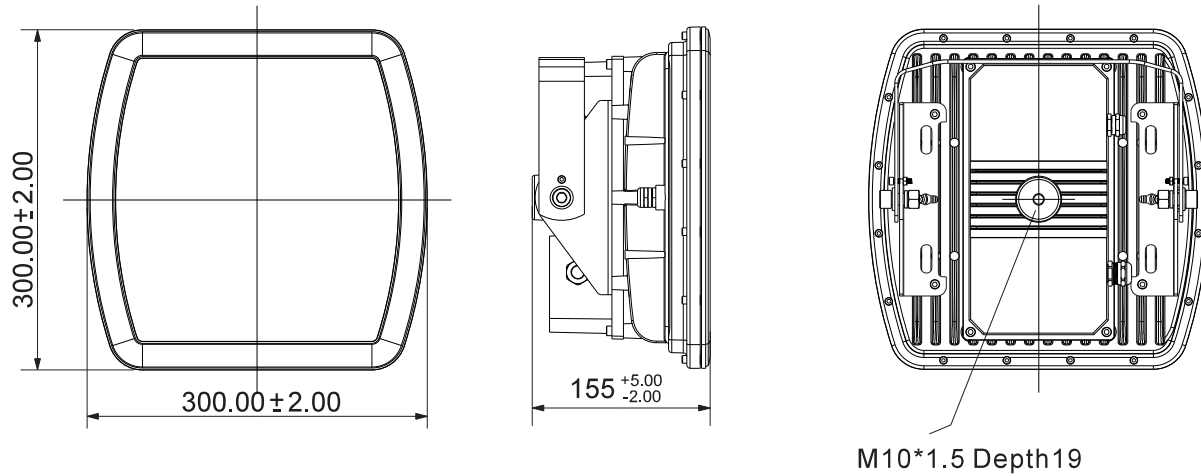
**SECTION 3: LIGHT SOURCE DESCRIPTION (LED CHIP)**

LED Shape:	SMD
Number of LEDES:	60
LED TYPE:	BRIDGELUX

**SECTION 4: COMPARABLE OLDER LIGHT SOURCE**

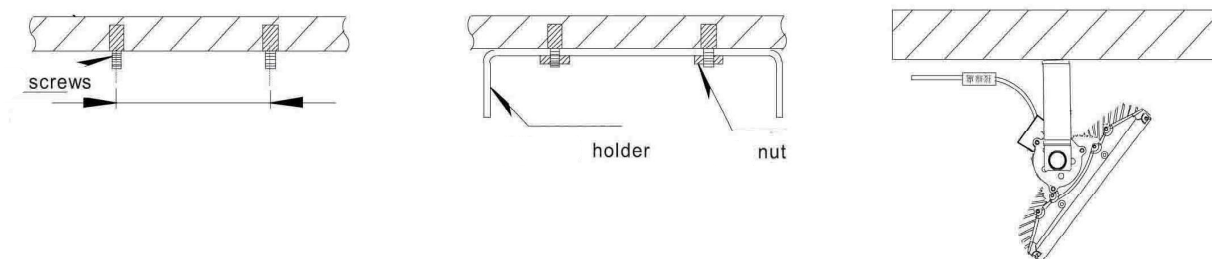
<b>250W Metal Halide Flood</b>	<b>Vollner 60W Canopy Flood</b>
250 Watts Power	60 Watts Power
8,000 Hour Lifespan	50,000 Hour Lifespan
Carries no warranty	Carries 3 year warranty
Contains deadly mercury gas	RoHS certified for no toxic components
Does not function well in cold environments	Works perfectly down to -20°C to 60°C

**Dimensions(unit:mm):**



**Installation drawing:**

- 1、 Fix tow M10 screws on the wall according to the distance between the holes of the bracket.
- 2、 Install he bracket on the screws and then fasten it with the nut.
- 3、 Fix the position of the lamp
- 4、 Connect the transformer with the AC power wire.



## SECTION 5: ADDITIONAL BENEFITS OF THE FLOOD LIGHT

**Long Term Investment:** LED Light fixtures feature a robust, protective design gives this luminaire an IP of 67 and the ability to handle harsh environments. The specially designed heat sink does not let dust easily collect, while also allowing more air to flow through it, providing for greater heat dissipation and, in turn, improving the performance of a long-lasting, durable luminaire. LED Fixtures additionally use a lot less energy and pay for themselves with the energy savings.

**Instant Start Up and Restrike Time:** LED Light fixtures do not require a filament to warm up or cool down before the maximum amount of light can be achieved. The lifespan of an LED fixture is **not affected** by switching on and off. This is a huge benefit as compared to metal halide bulbs and fluorescent bulbs which are advised by manufacturers to switch on/off as little as possible.



### Unique Features of the Vollner 60W Canopy Light VS Other LED Floods

- 1) Housing material: ADC12 high thermal conductivity material, anti-dust thermal conductivity coatings
- 2) Protection Grade: IP67
- 3) Power supply: MeanWell HLG series,
- 4) Power Factor: >0.97 , Power Efficiency: >90%