

50W TROFFER LED LIGHT



SECTION 1: GENERAL DESCRIPTION (FIXTURE AND DRIVER)

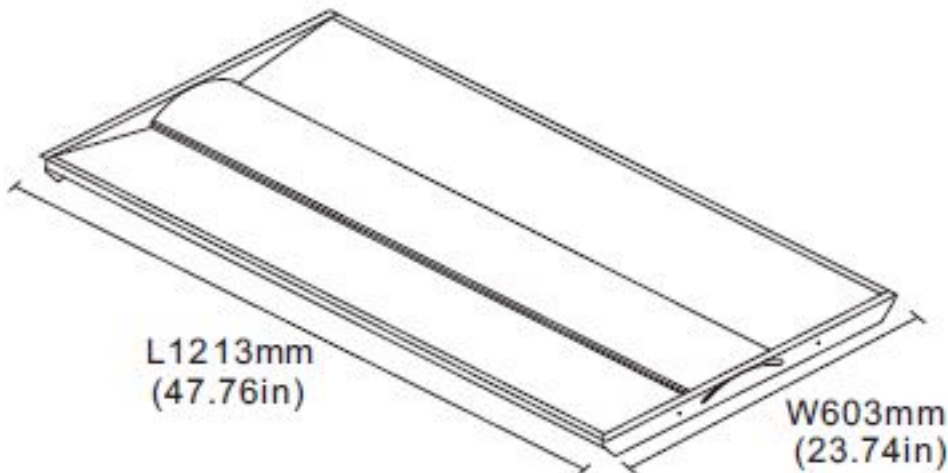
Model Number:	VOL-TL-050-CW-2X4
Voltage:	85-277V
Power:	50W
Diffuser Type:	Polycarbonate
Base Material:	Aluminum Die casting heat sinks
Light Output:	4063 Lumens
Beam Angle:	120 Degrees
Correlated Colour Temperature (CCT):	5000K White
Fixture Lifespan:	50,000 Hours (10+ years at 12 hours per day)
IP Rating:	40
Dimensions:	1213*603*45 mm
Weight:	7.5 kg
Hue:	C/W

SECTION 2: CERTIFICATIONS MET

- 1) UL Listing : Underwriters Laboratory testing for dependable reliability and lifespan of fixture.
- 2) RoHS Certification: Restriction of Hazardous Substances- Ensuring no toxic chemicals or materials are used in the manufacture.
- 3) CE Certification: Conformity European, Ensuring that this product can be within the strictest standards of Europe.

SECTION 3: LIGHT SOURCE DESCRIPTION (LED CHIP)

LED Shape: SMD



INSTALLATION

T-BAR CEILING MOUNTING

STEP 1:

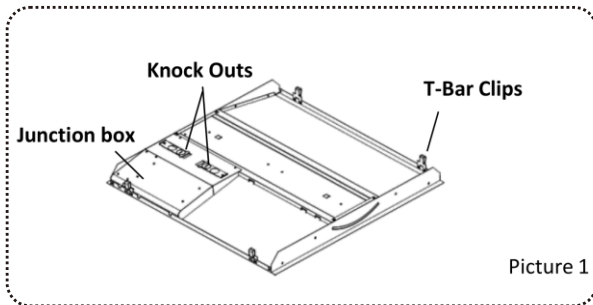
Install the(4) supplied T-Bar clips onto the mounting bracket on the outside of the housing. See picture 1.

STEP 2:

Put the troffer into the T-Bar Ceiling panel and attach the clips on the housing onto the T-Bar.

STEP 3:

Fix the safety cable at the back side of the house to the ceiling incase the troffer drop down.



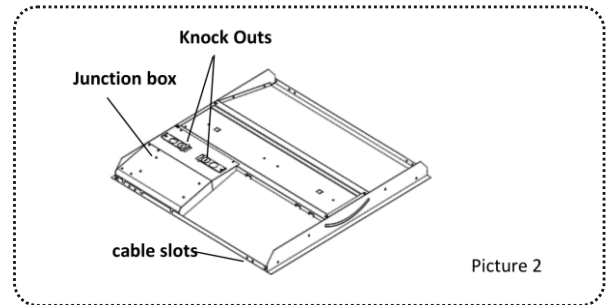
SUSPENDED MOUNTING

STEP 1:

Attach customer supplied cables to the(2) cable slots on each corner of the troffer housing. See picture 2.

STEP 2:

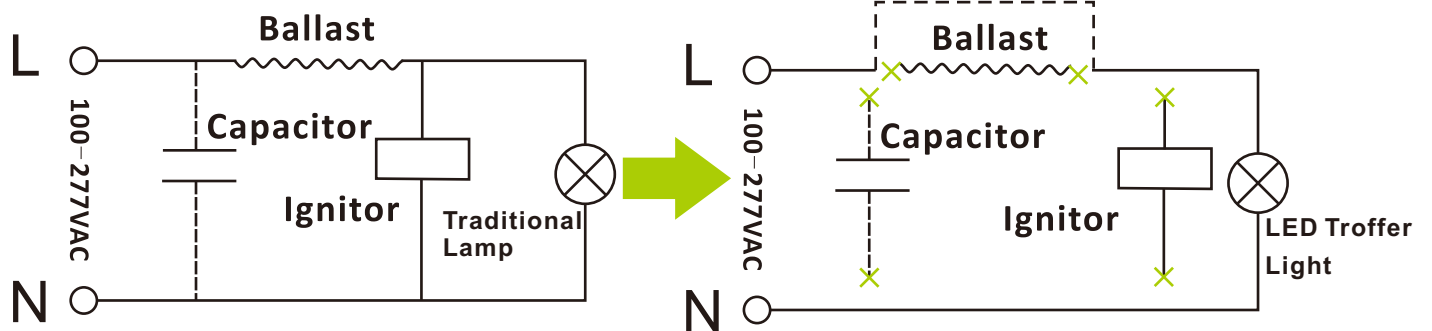
Attach customer supplied cables to mounting surface using customer supplied hardware. Ensuring that mounting surface can support the luminaire.



WIRING

Normally, The Traditional Tube Light has the ballast or capacitor or ignitor.

Replace Traditional Tube Light



1. Connect the RED fixture lead to LINE(+) supply lead.
2. Connect the BLACK fixture lead to the COMMON(-) supply lead.
3. Connect the GREEN/YELLOW GROUND wire from fixture to supply ground.
4. If any, connect VIOLET to 0/1-10V SIGNAL(DIM+) supply lead and GRAY to EUTRAL/REFERENCE(DIM-) supply lead. (see picture 3)

**REMARKS: All unused leads must be capped and insulated.

