



**LED Explosion Proof Lamp -50W**

**SECTION 1: GENERAL DESCRIPTION (FIXTURE AND DRIVER)**

Voltage:	100-277V
Power:	50W
Driver Brand:	SOSEN
Base Material:	High strength aluminum alloy housing
Led lumen:	90 lm/W
Beam Angle:	>180°
Correlated Colour Temperate (CCT):	6000K White
Fixture Lifespan:	100000 Hours
IP Rating:	66
Dimensions:	Φ240*H290 mm
Weight:	5.8 kg
Temperature Class	T1- T6
Class	Class 1 Div 2

**SECTION 2: CERTIFICATIONS MET**

- 1) UL Listing : Underwriters Laboratory testing for dependable reliability and lifespan of fixture.
- 2) RoHS Certification: Restriction of Hazardous Substances- Ensuring no toxic chemicals or materials are used in the manufacture.
- 3) Explosion Proof Grade- 2D Ex tb IIIC T80° Db IP66; II 2 G Ex d IIC T6 Gb
- 4) CE Corrosion- proof Grade- WF2

**SECTION 3: LIGHT SOURCE DESCRIPTION (LED CHIP)**

LED Shape:	COB
Lumen Maintenance	6000h,>95%
LED TYPE:	SMD SANAN LED CHIP

**SECTION 4: COMPARABLE OLDER LIGHT SOURCE**

<b>50W Metal Halide Flood</b>	<b>50W Flood Light</b>
50 Watts Power	50 Watts Power
8,000 Hour Lifespan	100000 Hour Lifespan
Carries no warranty	Carries 3 year warranty
Contains deadly mercury gas	RoHS certified for no toxic components
Does not function well in cold environments	Works perfectly down to -40 °C

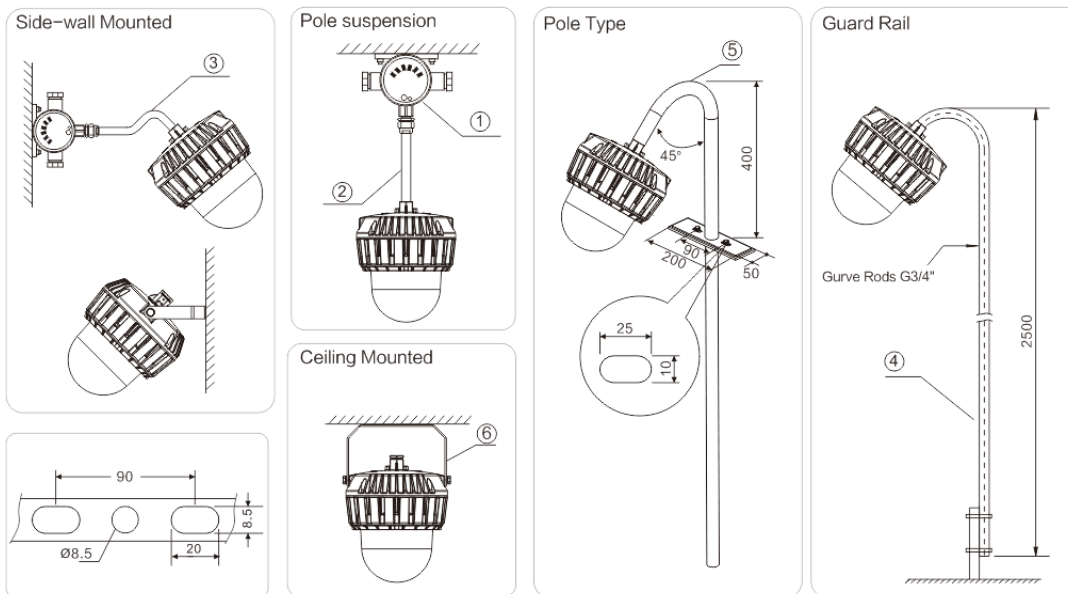
## SECTION 5: ADDITIONAL BENEFITS OF THE FLOOD LIGHT

**Long Term Investment:** LED Light fixtures feature a robust, protective design gives this luminaire an IP of 66 and the ability to handle harsh environments. The specially designed heat sink does not let dust easily collect, while also allowing more air to flow through it, providing for greater heat dissipation and, in turn, improving the performance of a long-lasting, durable luminaire. LED Fixtures additionally use a lot less energy and pay for themselves with the energy savings.

**Instant Start Up and Restrike Time:** LED Light fixtures do not require a filament to warm up or cool down before the maximum amount of light can be achieved. The lifespan of an LED fixture is **not affected** by switching on and off. This is a huge benefit as compared to metal halide bulbs and fluorescent bulbs which are advised by manufacturers to switch on/off as little as possible.

## SECTION 6: INSTALLATION DETAILS

**Pole Suspension is standard. Other mounts are optional.**



### Notice:

1. Be sure to cut off the power for lamp installation and maintenance.
2. Do not look directly at the light source when lamp works.
3. Not allowed to open the lamps with power on.
4. Non-professionals are not optionally permitted to install or open the lamps or the drivers.

Photometric Distribution

